

Hardware Details For Playout Software

Processor: Core i7 or Higher



RAM: 16 GB or Higher (with heatsink preferable)



Motherboard:

The following motherboards are recommended for use with DeckLink, Multibridge and Intensity capture cards:

- ASRock Z87 Extreme11/ac
- ASRock Z87E-ITX
- ASRock Z87 Extreme4

- ASRock Z87 Extreme4/TB4
- ASRock Z87 Extreme 6
- Asus Z87 Deluxe/Quad
- Asus Z87-Pro
- Asus Z87-PLUS
- Asus Z87-Expert
- Asus Z87-Gryphon
- Asus P9X79 WS
- MSI Z77A-G45 Thunderbolt
- Gigabyte GA-Z87X-UD7 TH
- Gigabyte Q87M-D2H
- Gigabyte Z87X-UD4H
- Gigabyte X79-UD5
- Gigabyte Z77MX-D3H TH
- Gigabyte Z77X-UP4 TH
- Gigabyte Z77X-UP5 TH
- Gigabyte Z68X-UD3H-B3
- Gigabyte Z97-UD5H
- Gigabyte Z97X-UD7 TH
- Gigabyte Z97-WIFI
- Gigabyte GA-H87M-D3H - (not recommended for DeckLink Duo)
- SuperMicro X10SAT
- SuperMicro X10SLV (not recommended with DeckLink SDI)
- SuperMicro X10SLV-Q (not recommended with DeckLink SDI)
- SuperMicro C7Z87-OCE - (not recommended for DeckLink Studio 2)
- SuperMicro C7Z97-OCE

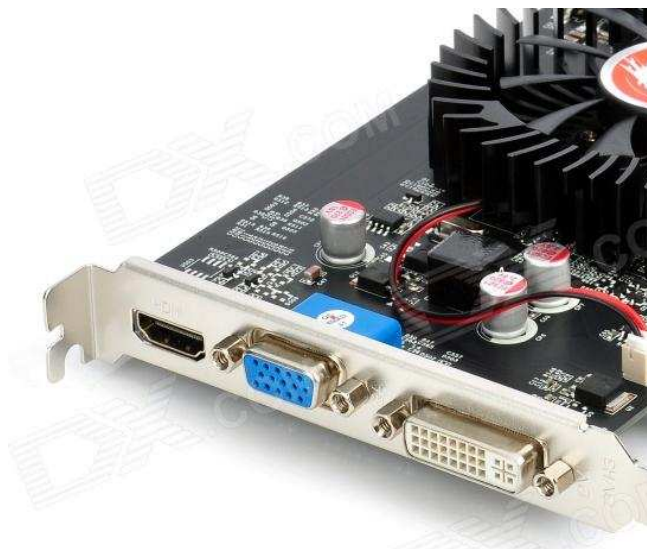


Motherboard is preferable

Hard Disk: 1 / 2 TB HDD (SAS or enterprise edition hard disk drive preferable)



GPU: PCI Express GPU 2GB or Higher Graphic Card



Operating System: Windows 7 / 8 Ultimate 64 bit



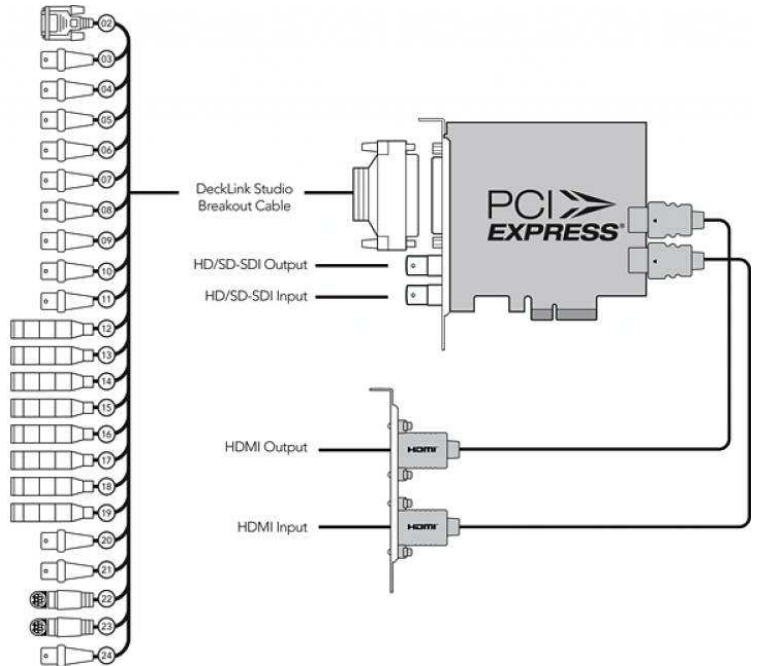
Net Setter: USB Huawei Net Setter with any SIM Card enable for Incoming SMS (Modle : E1550)



Output on Decklink Studio card



2. RS-422 Deck Control
3. R-Y Out
4. Y Out
5. B-Y Out
6. Ref In
7. R-Y In
8. Y In
9. B-Y In
10. AES / EBU Out CH1&2
11. AES / EBU In CH1&2
12. Analog Audio Out 1
13. Analog Audio Out 2
14. Analog Audio In 1
15. Analog Audio In 2
16. Analog Audio In 3
17. Analog Audio In 4
18. Analog Audio Out 3 or AES/EBU CH3&4 Out
19. Analog Audio Out 4 or AES/EBU CH5&6 Out
20. Composite In
21. Composite Out
22. S-Video In
23. S-Video Out
24. Standard Definition SDI Out



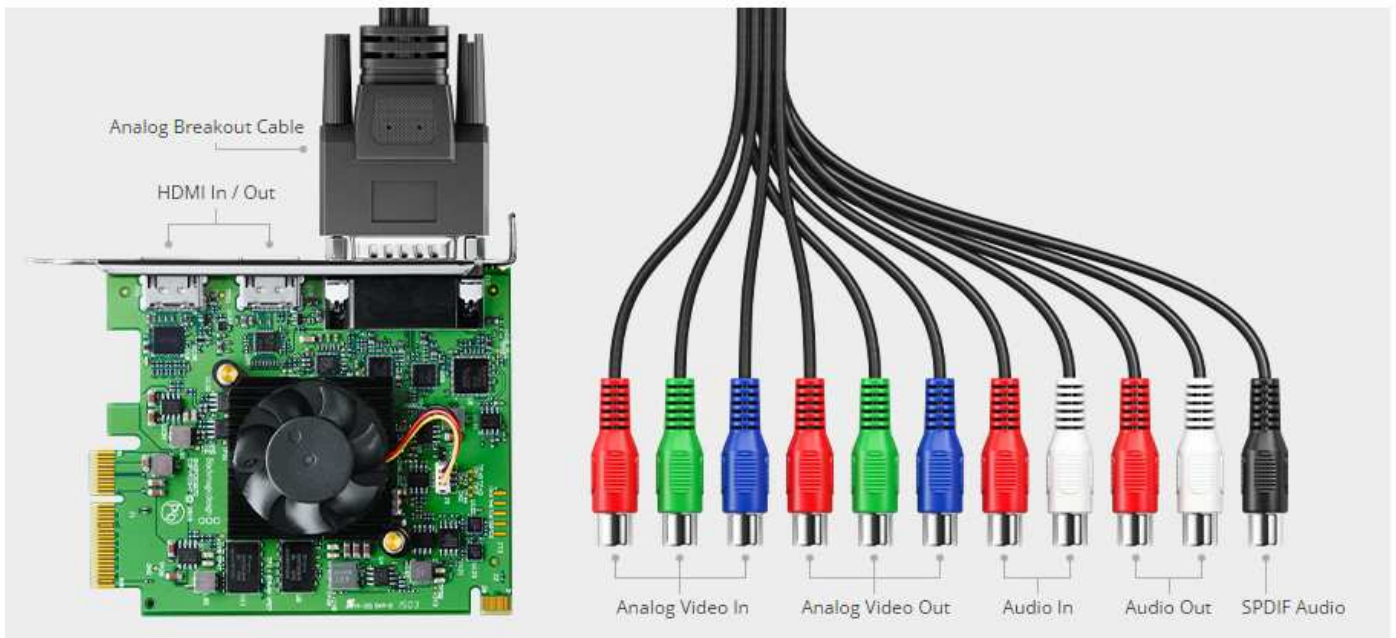
Technical Specification: <https://www.blackmagicdesign.com/in/products/decklink/techspecs/W-DLK-12>

Output on Decklink Mini Monitor



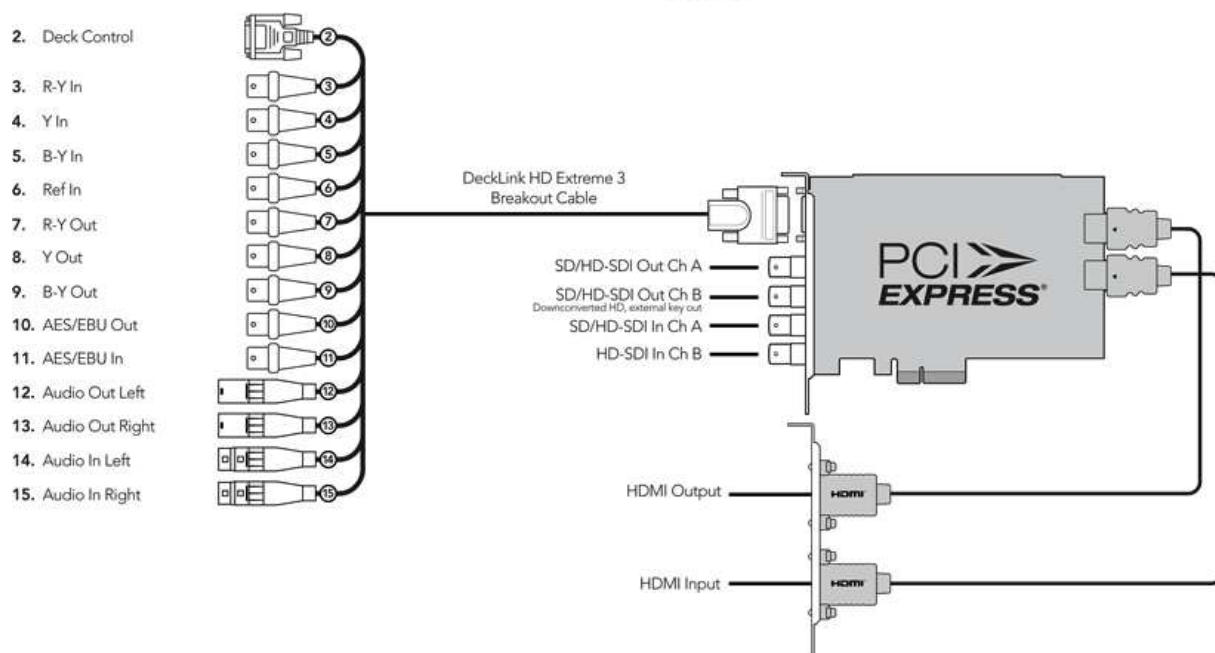
Technical Specification: <https://www.blackmagicdesign.com/in/products/decklink/techspecs/W-DLK-05>

Output on Decklink Intensity Pro



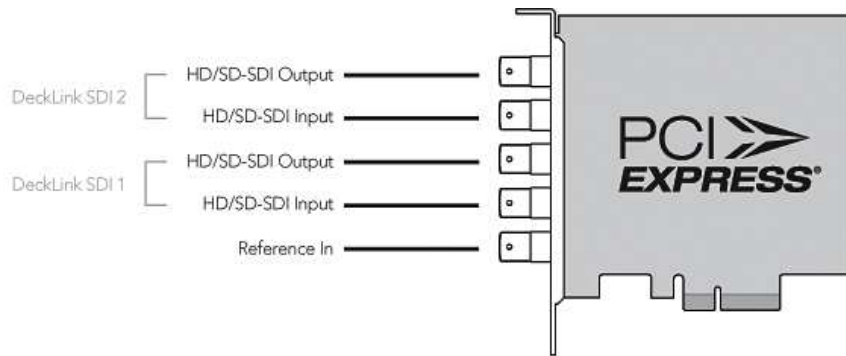
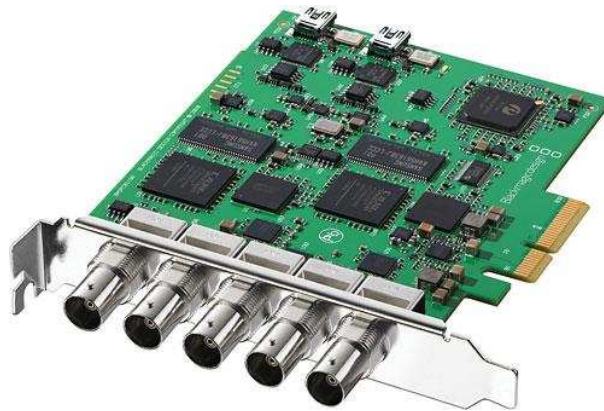
Technical Specification: <https://www.blackmagicdesign.com/in/products/intensitypro4k/techspecs/>

Output on Decklink Extreme



Technical Specification: <https://www.blackmagicdesign.com/in/products/decklink/techspecs/W-DLK-04>

Output on Decklink Duo Card



Technical Specification: <https://www.blackmagicdesign.com/in/products/decklink/techspecs/W-DLK-01>

One more thing: To set Decklink card on motherboard must have slot available for that. Refer below given links for complete technical specification.

HD / SDI MSO Channel - Software solution Payout software video:
<http://youtu.be/rqb8LlhmlG4>

Decklink Studio Technical Details:
<http://www.blackmagicdesign.com/products/decklink/techspecs#4012>

Intensity Pro Technical Details:
<http://www.blackmagicdesign.com/products/intensity/techspecs/>

Technical Diagram:
<http://www.blackmagicdesign.com/media/1034544/decklinkconnectionsapril2011.pdf>

Contact: Aplomb Technology® Jalaram -2, 2nd Floor, Siddhartha Apartment, Opp. Suvidha Hospital, University Road, Above Udan Photo, City : Rajkot. Pincode 360005. State : Gujarat Country : India
Contact No. +91-9825412933 / +91-9909012933 / +91-7624012933 / +91-9825012933 / +91-281-6538870